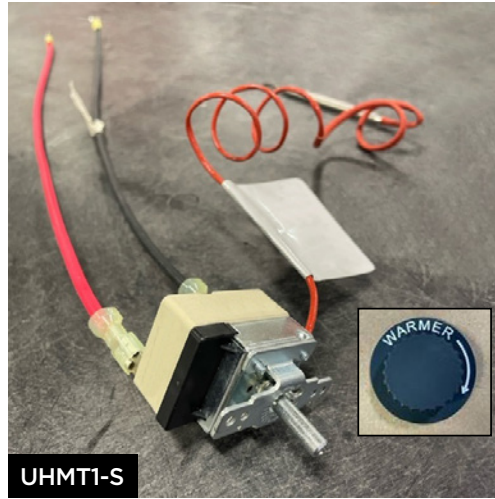
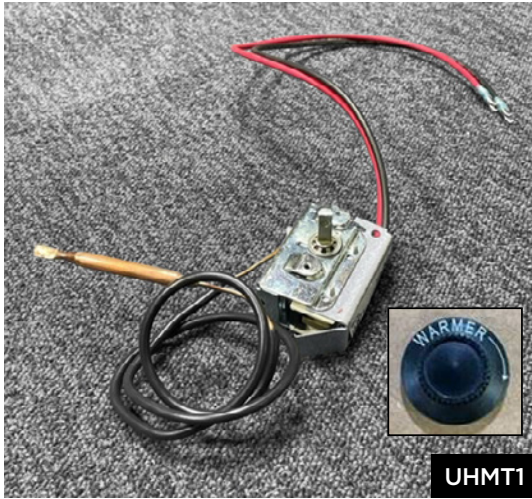


UHMT1 vs. UHMT1-S

Single-Pole Internal Thermostats

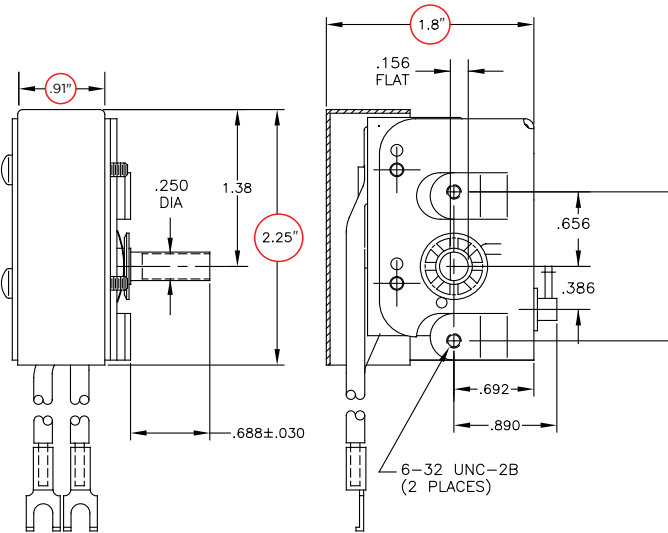
THERMOSTATS & CONTROLS



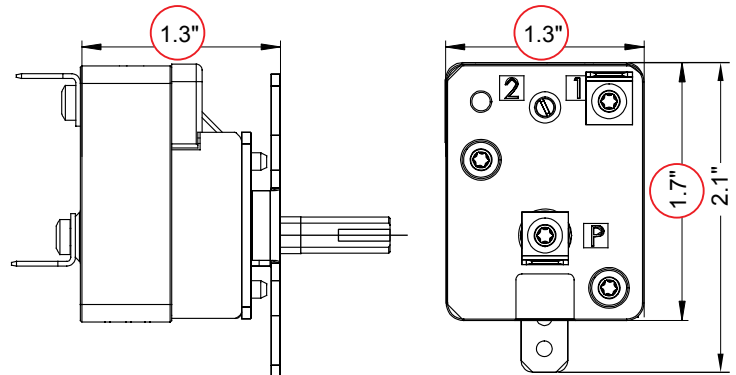
- > Same function and application coverage
- > Compatible with MUH and HUHAH Unit Heaters

PART NUMBER	UPC	DESCRIPTION	ELECTRICAL RATING
UHMT1	685360152417	Single-Pole Internal Thermostat Temp Range: 40°-85°F	25A @ 120, 240VAC Res. / 22A @ 277VAC Res.
UHMT1-S	685360175300	Single-Pole Internal Thermostat Temp Range: 39°-108°F	30.1A @ 250VAC Res. Note: Not currently rated at 277V

Dimensions and Clearances:



UHMT1



UHMT1-S

